

Change Notification: **FT.240626.1**  
Change Level Category: **1**  
**7/08/2024**

**500 series Loadsure Collar change**  
**500 シリーズ ロードシュアカラー変更**

To our valued customers:お客様各位、

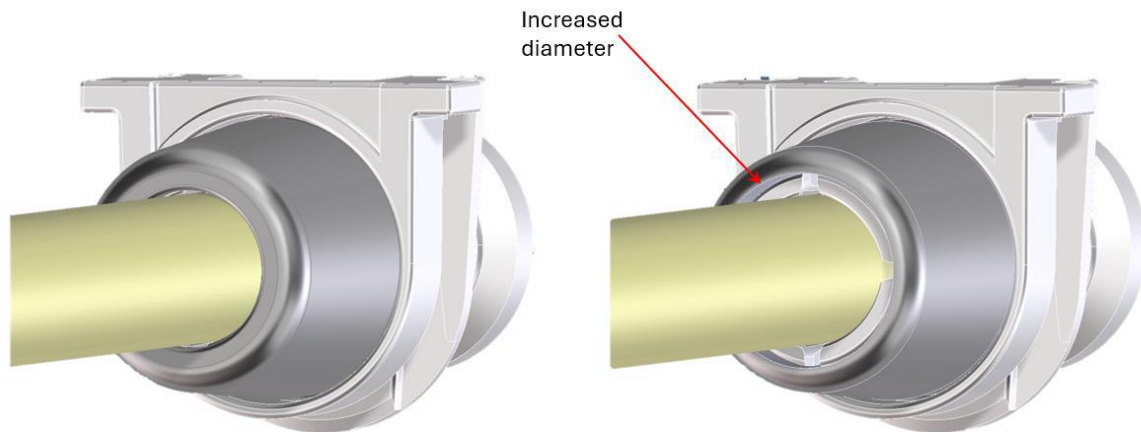
**Watson-Marlow Limited**  
Falmouth  
Cornwall, TR11 4RU  
England  
T: +44 (0)1326 370370  
F: +44 (0)1326 376009

[info@wmfts.co.uk](mailto:info@wmfts.co.uk)  
[wmfts.com](http://wmfts.com)

**Change Description 変更詳細**

Watson-Marlow Limited, an ISO 9001:2015 certified manufacturer, is pleased to inform you that as part of our continuous improvement activities the mould tool used to mould the coloured sleeve, the non-fluid contact part of the 500 series Loadsure connector, is being updated. The current tool has reached the end of its life. The design of the new mould will give the collar a slightly different appearance, see images below.

ISO 9001:2015 認定メーカーである Watson-Marlow Limited は、継続的な改善活動の一環として、500 シリーズ Loadsure コネクタの非流体接触部分であるカラー スリーブの成形に使用する成形ツールが更新されていることをお知らせします。現在のツールは寿命に達しました。新しい成形の設計により、カラーの外観が若干変わります。下の画像を参照してください。



Current design 現状のデザイン

New design 新デザイン

The change to the design has reduced the potential impact from bug traps as “tube retention fingers” now visible and void area not enclosed.

設計の変更により、「チューブ保持フィンガー」が見えるようになり、空洞領域が囲まなくなったため、虫よけトラップによる潜在的な影響が軽減されました。

### Change Type 変更タイプ

<input type="checkbox"/>	Chemical Properties	<input type="checkbox"/>	Physical Properties	<input type="checkbox"/>	Manufacturing Process
<input type="checkbox"/>	Functionality	<input type="checkbox"/>	Raw Material	<input checked="" type="checkbox"/>	Specification
<input type="checkbox"/>	Equipment	<input type="checkbox"/>	Manufacturing Site	<input type="checkbox"/>	Scale of Manufacturing
<input type="checkbox"/>	Configuration	<input type="checkbox"/>	Contact Packaging	<input type="checkbox"/>	Labeling
<input type="checkbox"/>	Documentation	<input type="checkbox"/>	Test Method	<input type="checkbox"/>	Supply Chain
<input type="checkbox"/>	Discontinuation	<input checked="" type="checkbox"/>	Other: Mould tool update/ visual appearance		

### Scope 範囲

The scope of this change is limited to coloured collar, the non fluid contact part of the 500 series Loadsure element. Design optimisation required changes to the form, the fit and function remain identical.

この変更の範囲は、500 シリーズの Loadsure エレメントの非流体接触部分である色付きカラーに限定されます。設計の最適化には形状の変更が必要でしたが、フィット感と機能は同一のままです。

### Products Affected 対象商品

See next page 次ページ以降を参照下さい。

### When will this change take effect 変更実施時期

After the 5<sup>th</sup> August 2024 the new collars will start to be used on the Loadsure. They will be phased in as the current stock of collars are depleted.

2024年8月5日以降、新しいカラーが Loadsure で使用され始めます。現在のカラーの在庫がなくなると、段階的に導入されます。

### What We Need from you 貴社への依頼事項

If you require any other action prior to implementation, or if you have any further questions, please contact your local WMFTS representative.

実施前に要求事項がある場合、またはさらに質問がある場合は、地元の WMFTS 担当者にお問い合わせください。

## Appendix 1: Affected Products

Item Number	Item Description
	<b>Marprene</b>
902.0032.PFQ	520 LoadSure Marprene TL 3.2mm quick release element
902.0064.PFQ	520 LoadSure Marprene TL 6.4mm quick release element
902.0096.PFQ	520 LoadSure Marprene TL 9.6mm quick release element
902.P032.PFQ	520 LoadSure Marprene TM 3.2mm quick release element
902.P064.PFQ	520 LoadSure Marprene TM 6.4mm quick release element
902.H032.PFQ	520 LoadSure Marprene TH 3.2mm quick release element
	<b>Pumpsil</b>
913.A032.PFQ	520 LoadSure Pumpsil 3.2mm quick-release element
913.A032.PFT	520 Loadsure Pumpsil 3.2mm Tri-Clamp Element
913.A064.PFQ	520 LoadSure Pumpsil 6.4mm quick release element
913.A064.PFT	520 Loadsure Pumpsil 6.4mm 3/4" Tri-Clamp Element
913.A096.PFQ	520 LoadSure Pumpsil 9.6mm quick release element
913.A096.PFT	520 Loadsure Pumpsil 9.6mm Tri-Clamp Element
	<b>Bioprene</b>
933.0032.PFT	520 Loadsure Bioprene TI 3.2mm Tri-Clamp Element
933.0064.PFT	520 Loadsure Bioprene TI 6.4mm Tri-Clamp Element
933.0096.PFT	520 Loadsure Bioprene TI 9.6mm Tri-Clamp Element
933.P064.PFT	520 Loadsure Bioprene Tm 6.4mm Tri-Clamp Element
933.H032.PFT	520 Loadsure Bioprene Th 3.2mm Tri-Clamp Element
933.P032.PFT	520 Loadsure Bioprene Tm 3.2mm Tri-Clamp Element
	<b>PureWeld XL</b>
942.0064.PFT	6.4MM Tri Clamp PureWeld XL LoadSure element
942.0096.PFT	9.6MM Tri Clamp PureWeld XL LoadSure element
194.1096.AQ5	520 Loadsure Element TI Pureweld 9.6mm with PVDF quick release
	<b>Maxthane</b>
945.0032.PFT	520 Loadsure Maxthane 3.2mm Tri-Clamp Element
945.0064.PFT	520 Loadsure Maxthane 6.4mm Tri-Clamp Element
945.0096.PFT	520 Loadsure Maxthane 9.6mm Tri-Clamp Element

Gore STA PURE PCS	
961.0032.PFT	520 LoadSure STA-PURE PCS 3.2mm tri-clamp element
961.0064.PFT	520 LoadSure STA-PURE PCS 6.4mm tri-clamp element
961.0096.PFT	520 LoadSure STA-PURE PCS 9.6mm tri-clamp element
961.H032.PFQ	520 LoadSure STA-PURE PCS 3.2mm quick release element
961.H032.PFT	520 LoadSure STA-PURE PCS 3.2mmTri clamp element
961.M032.PFT	520 LoadSure STA-PURE PCS 3.2mm tri-clamp element
961.M064.PFT	520 LoadSure STA-PURE PCS 6.4mm tri-clamp element
196.1M64.R21	520 Loadsure Ind. Element Sta-Pure PCS 6.4mm c/w PVDF
19Z.M064.R21	520 Loadsure Ind. Element STA-PURE PCS 6.4mm Cw Pvdf
Gore STA-PURE PFL	
966.0032.PFQ	520 LoadSure STA-PURE PFL 3.2mm quick release element
966.0032.PFT	520 LoadSure STA-PURE PFL 3.2mm Tri clamp element
966.0064.PFQ	520 LoadSure STA-PURE PFL 6.4mm quick release element
966.0064.PFT	520 LoadSure STA-PURE PFL 6.4mm Tri clamp element
966.0096.PFQ	520 LoadSure STA-PURE PFL 9.6mm quick release element
966.0096.PFT	520 LoadSure STA-PURE PFL 9.6mm Tri clamp element
966.M032.PFQ	520 LoadSure STA-PURE PFL 3.2mm quick release element
966.M032.PFT	520 LoadSure STA-PURE PFL 3.2mm Tri clamp element
966.M064.PFQ	520 LoadSure STA-PURE PFL 6.4mm quick release element
966.M064.PFT	520 LoadSure STA-PURE PFL 6.4mm Tri clamp element