

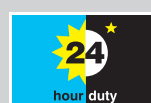
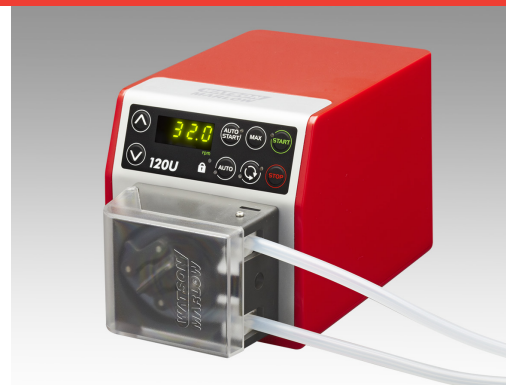
120F/R, 120S/R 120U/R cased pumps fitted with 102R pumphead

100 series

Watson-Marlow Pumps Group

FEATURES AND BENEFITS

- Flow rates 0.003 to 54 ml/min at 2bar (30psi)
- Compact footprint requiring minimal benchtop space
- Superior speed control up to 3200:1, with $\pm 1\%$ set speed accuracy
- 102R single-channel pumphead with two rollers
- IP31 ingress protection for wipedown environments
- Maintenance-free brushless DC motor



Watson-Marlow...Innovation in Full Flow

TECHNICAL DATA

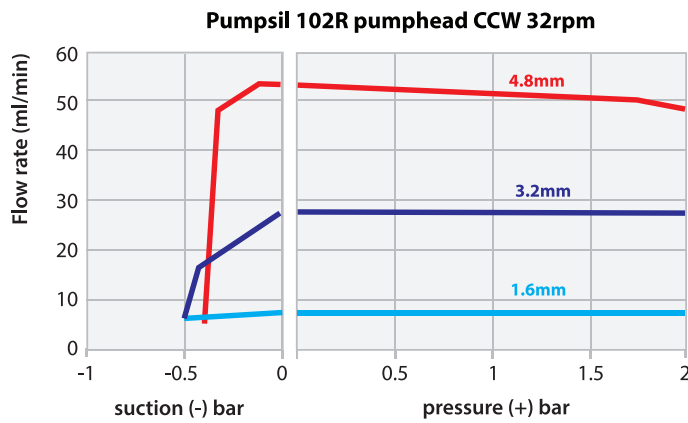
Functionality	120F	120S	120U
Manual control			
Fixed speed (CW direction)	•		
1 to 32rpm (32:1)		•	
0.1 to 32rpm (320:1)			•
Numerical speed display		•	•
Reversible direction		•	•
Max (prime)		•	•
Auto start		•	•
Remote control			
Run/stop, direction change, auto/man toggle, alarm			•
Analogue control			
0.01 to 32rpm (3200:1)			•
Analogue speed input; 4-20mA, 0-10V			•
Tacho speed output; 0-5V			•
Security			
Keypad lock to protect set-up		•	•

PERFORMANCE

Tube bore and flow rates 120F/R (ml/min)						
	Speed rpm	0.5mm	0.8mm	1.6mm	3.2mm	4.8mm
Pumpsil (Silicone)	10rpm	0.3	0.5	2.1	8.5	17
	17rpm	0.5	0.9	3.6	14	29
	31rpm	0.9	1.6	6.5	26	52

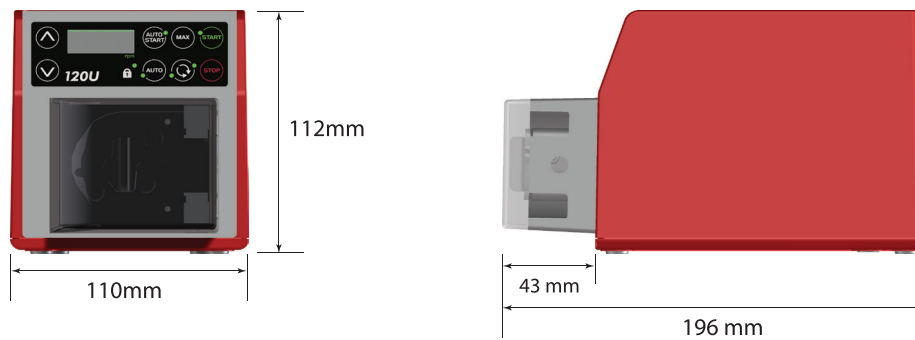
Tube bore and flow rates 120S/R(Upper stage),120U/R(Lower stage) (ml/min)						
	Speed rpm	0.5mm	0.8mm	1.6mm	3.2mm	4.8mm
Pumpsil (Silicone)	1 – 32rpm	0.03-0.9	0.05-1.6	0.21-6.7	0.85-27	1.6-54
	0.1 – 32rpm	0.003-0.9	0.005-1.6	0.021-6.7	0.085-27	0.16-54

PERFORMANCE



Flows obtained pumping water
at 100rpm CCW-rotation
Typically 25% less pressure
capacity in the CW direction

DIMENSIONS



TECHNICAL SPECIFICATION

120F, 120S, 120U	
Ingress rating	IP31 / NEMA 2
Enclosure	Wipedown
Suitability	Dry light-industrial environments
Humidity	Non-condensing 80% up to 31C, 88F, decreasing linearly to 50% at 40C, 104F
Temperature	5C to 40C (40F to 104F)
Pump weight	1.55kg (3lbs 4oz)
Control ratio	120F: fixed speed, 120S: 32:1 120U: Manual 320:1, Auto 3200:1
Torque rating	0.4Nm continuous duty
Noise	< 60dB(A) at 1m
Standard	CE, cETLus
Power supply	24VDC from mains transformer supplied (mains supply range 90-264VAC 47-63Hz)

MATERIALS OF CONSTRUCTION

Component	Material
Keypad	Polyester
Drive casework	ABS plastic
Drive shaft	Stainless Steel
Pumphead track	Acetal copolymer, Kematal
Pumphead guard	Polycarbonate
Rotor	IXEF (Polyarylamide)
Rollers	MOS2 filled Nylon 6 (nylatron)
Spindles guide pins	Stainless steel

ORDER INFORMATION

Pump and pumphead product codes			
Description	Partcode	Description	Partcode
120F/R fixed speed 10rpm pump	010.6111.R00	120S/R manual speed pump 32rpm	010.6131.R00
120F/R fixed speed 17rpm pump	010.6112.R00	120U/R manual and auto pump 32rpm	010.6141.R00
120F/R fixed speed 31rpm pump	010.6113.R00	102R pumphead 8mm shaft	013.7101.000

Tubing 1.6mm wall thickness for 102R					
	0.5mm	0.8mm	1.6mm	3.2mm	4.8mm
Pumpsil	913.A005.016	913.A008.016	913.A016.016	913.A032.016	913.A048.016

All flow rates shown were obtained pumping water at 20C (68F) with zero suction and delivery heads. Watson-Marlow, Bioprene and Marprene are trademarks of Watson-Marlow Limited. Disclaimer: The information contained in this document is believed to be correct but Watson-Marlow Limited accepts no liability for any errors it contains, and reserves the right to alter specifications without notice. LoadSure is a trademark of Watson-Marlow Limited. © STA-PURE PFL and © STA-PURE PCS are registered trademarks of W.L Gore & Associates Inc. Please state the product code when ordering pumps and tubing.

**WATSON
MARLOW
Pumps**

wmpg.co.uk
info@wmpg.co.uk
+44 (0) 1326 370370